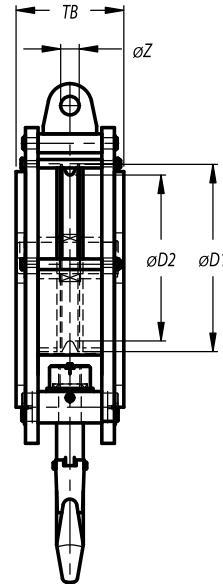
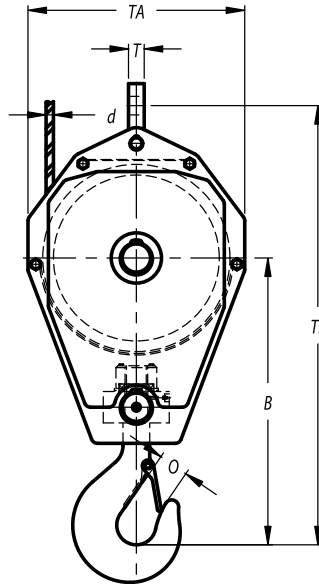




## Standard Reeve Crane Blocks

1 sheave



Model Nr.	WLL (Mtons)	For wire $\varnothing d$	Dimensions (mm)									Weight (kg)
			D1	D2	B	O	TA	TB	TL	T	Z	
SRB 250.1.8	8	11-12	280	250	460	49	360	195	730	22	27	100
SRB 285.1.10	10	13-14	320	285	550	55	400	195	850	28	32	125
SRB 320.1.12	12	15-16	365	320	590	55	450	215	915	28	32	170
SRB 355.1.16	16	17-18	410	355	665	59	500	215	1005	35	37	210
SRB 400.1.20	20	19-20	460	400	740	69	570	230	1120	40	43	250
SRB 450.1.25	25	21-22	515	450	770	69	600	230	1180	40	43	300
SRB 520.1.32	32	24-26	595	520	900	76	700	230	1365	45	52	400
SRB 570.1.40	40	28-29	650	570	975	84	750	313	1515	50	59	600
SRB 630.1.50	50	30-32	720	630	1025	97	825	333	1495	60	65	850

Minimum Ultimate Strength = 4 x WLL.

Standard fitted with cylindrical roller bearing and becket.  
 Standard painted in yellow (no striping).  
 Standard sheaves of reeve blocks can be adjusted to other wire rope diameters.  
 Third party testing with certification available upon request.

Can also be delivered with: 